

RECORD CTES-H SERIES

SEMI-ELECTRIC STACKER WITH ADJUSTABLE FORK

- Model: RECORD CTES-H, Capacity 1000kg, 1500kg
- Maximum Lift Height: 1600mm, 2500mm, 3000mm + 3300mm
- Powered lifting
- Light and easy manual steering
- Equipped with adjustable forks bar type
- High quality hydraulic pump assures very little noise, maximum efficiency and durability
- Excellent stability in operations
- External charger
- Compact structure

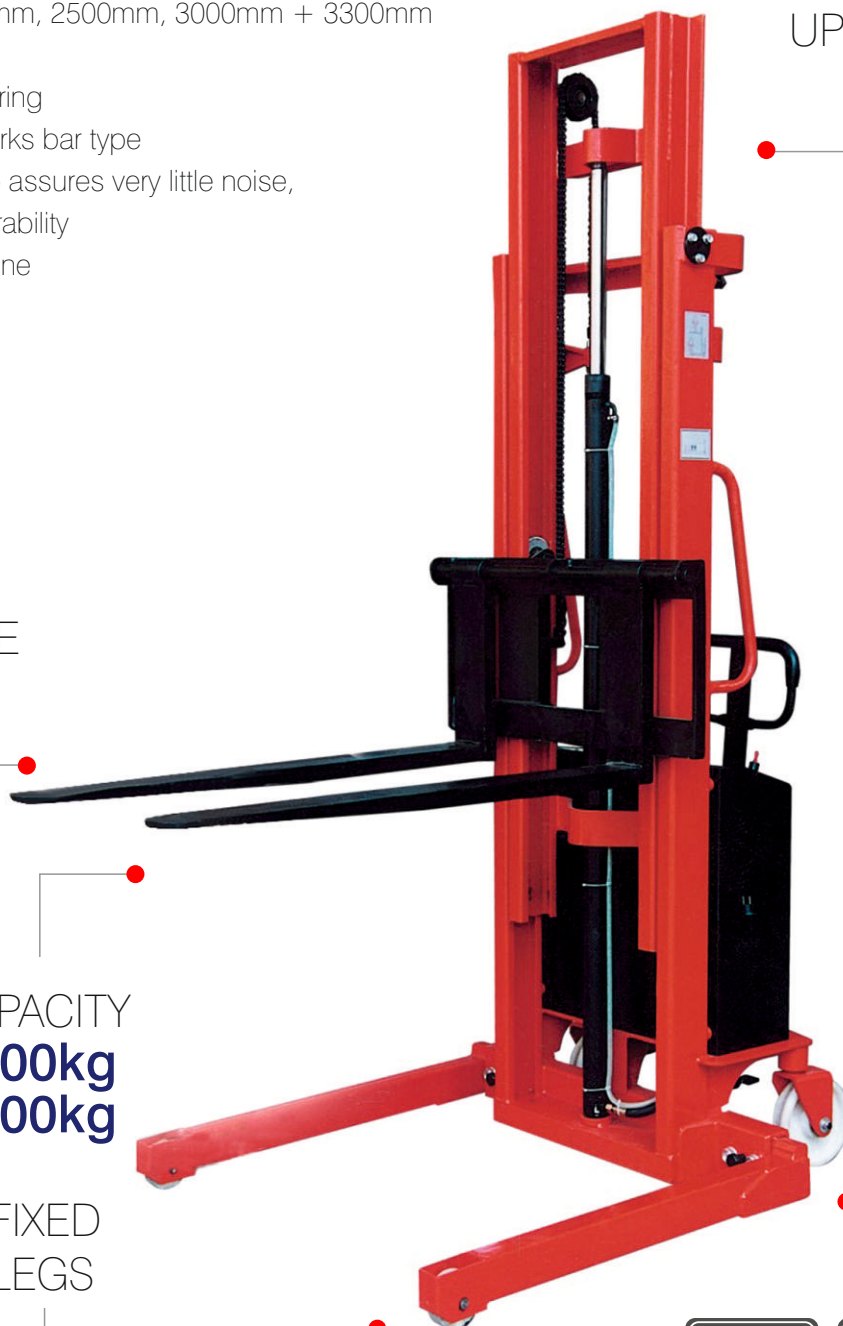
LIFTING HEIGHT
UP TO **3300mm**

ADJUSTABLE
FORKS

CAPACITY
1000kg
1500kg

FIXED
LEGS

COMPACT
STRUCTURE



Feature	Model		CTES1016-H	CTES1025-H	CTES1030-H	CTES1033-H
	Capacity	kg	1000	1000	1000	1000
	Lifting height	mm	75~1600	75~2500	75~3000	75~3300
	Fork length	mm	915	915	915	915
	Load center	mm	400	400	400	400
	Turning radius	mm	2200	2200	2200	2200
	Outside width between legs	mm	1360	1360	1360	1360
	Inside width between legs	mm	1240	1240	1240	1240
	Outside width between forks	mm	190~800	190~800	190~800	190~800
	Inside width between forks	mm	10~620	10~620	10~620	10~620
	Lifting speed	mm/s	>70	>70	>70	>70
	Lowering speed		Controllable	Controllable	Controllable	Controllable
	Lifting motor		12V/1600W	12V/1600W	12V/1600W	12V/1600W
	Battery		12V/100Ah	12V/100Ah	12V/100Ah	12V/100Ah
	Charger		220V/12V	220V/12V	220V/12V	220V/12V
	Overall length	mm	1550	1550	1550	1550
	Overall width	mm	1080~1360	1080~1360	1080~1360	1080~1360
Overall height	mm	2020	1770	2020	2170	
Front wheel diameter	mm	100	100	100	100	
Rear wheel diameter	mm	200	200	200	200	
Self weight	kg	366	448	468	480	

Feature	Model		CTES1516-H	CTES1525-H	CTES1530-H	CTES1533-H
	Capacity	kg	1500	1500	1500	1500
	Lifting height	mm	75~1600	75~2500	75~3000	75~3300
	Fork length	mm	915	915	915	915
	Load center	mm	400	400	400	400
	Turning radius	mm	2200	2200	2200	2200
	Outside width between legs	mm	1360	1360	1360	1360
	Inside width between legs	mm	1240	1240	1240	1240
	Outside width between forks	mm	210~800	210~800	210~800	210~800
	Inside width between forks	mm	10~600	10~600	10~600	10~600
	Lifting speed	mm/s	>50	>50	>50	>50
	Lowering speed		Controllable	Controllable	Controllable	Controllable
	Lifting motor		12V/1600W	12V/1600W	12V/1600W	12V/1600W
	Battery		12V/100Ah	12V/100Ah	12V/100Ah	12V/100Ah
	Charger		220V/12V	220V/12V	220V/12V	220V/12V
	Overall length	mm	1550	1550	1550	1550
	Overall width	mm	1080~1360	1080~1360	1080~1360	1080~1360
Overall height	mm	2070	1770	2020	2170	
Front wheel diameter	mm	100	100	100	100	
Rear wheel diameter	mm	200	200	200	200	
Self weight	kg	390	472	493	513	